

Tools Required

All Bitty Dot™ Models
PN 36100-36104



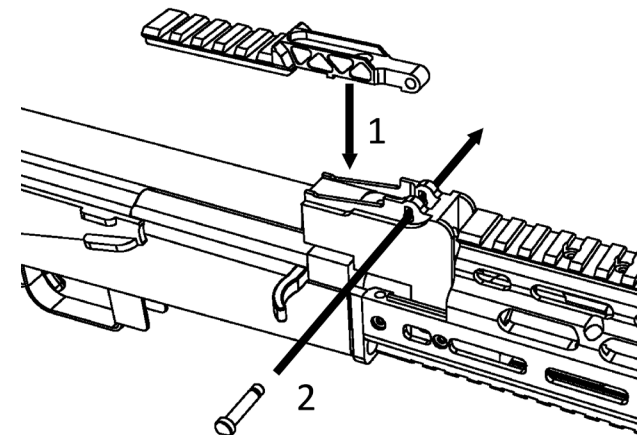
Quick Installation Guide

Always follow proper firearm safety practices and wear safety gear when servicing or handling any firearm. Texas Weapon Systems is not responsible for your mishandling or improper use of a firearm.

*** Assure the firearm is unloaded before servicing ***

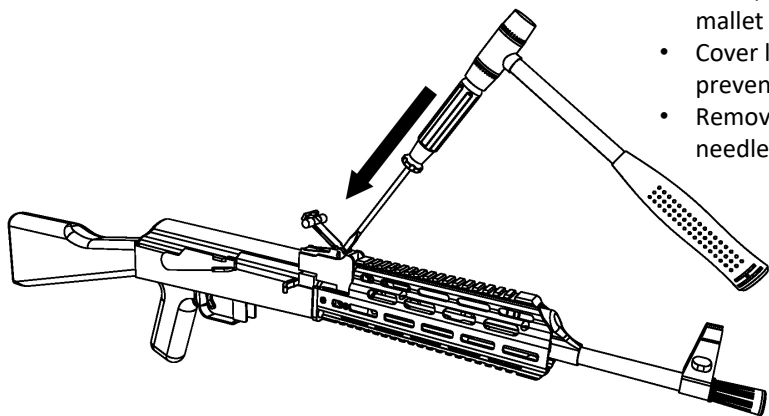
STEP 3

- Attach red dot sight to Bitty Dot Mount™ before installing on rifle.
- Install Bitty Dot Mount™ and hinge pin from right (ejection port side) to left.
- Secure hinge pin with e-clip.



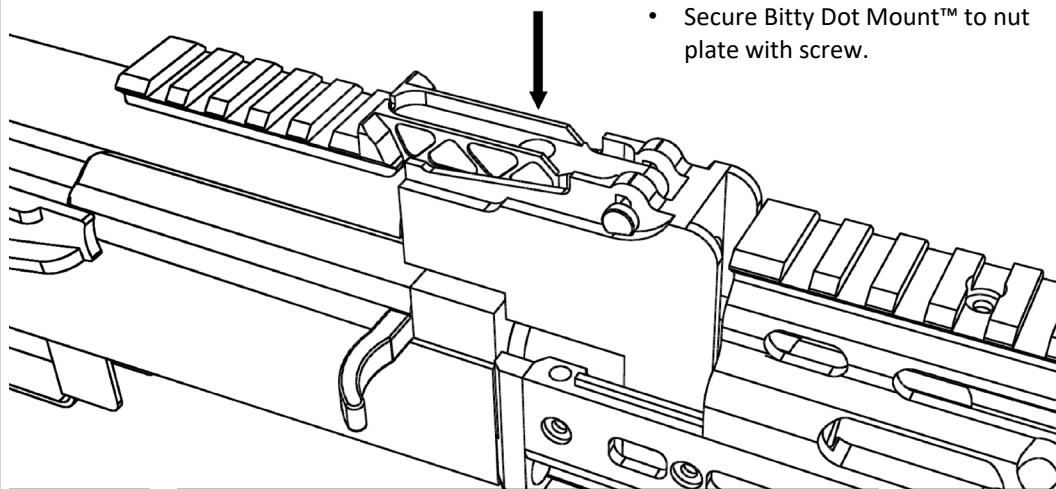
STEP 1

- Remove leaf sight with sharp strike, using screwdriver and mallet as shown.
- Cover leaf sight with rag to prevent forceful ejection.
- Remove leaf spring with needle nose pliers.



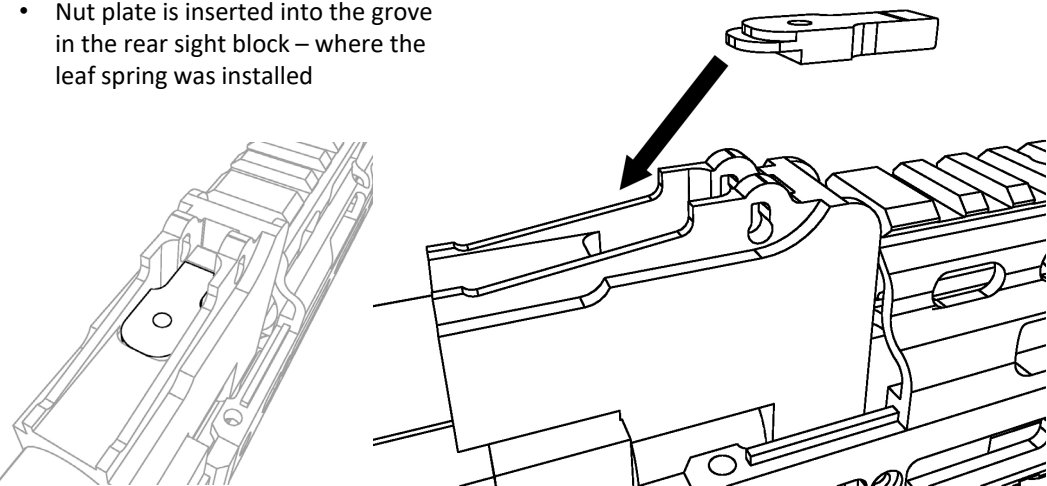
STEP 4

- Apply a drop of thread locking adhesive such as Loctite-Blue to screw.
- Secure Bitty Dot Mount™ to nut plate with screw.



STEP 2

- Install nut plate in place of the leaf spring.
- Screw may be temporarily installed and used as hand-hold to assist the installation of nut plate as shown.
- Nut plate is inserted into the groove in the rear sight block – where the leaf spring was installed



INSTALLATION COMPLETE



Made with pride in the USA
Quality AK parts designed and manufactured in the great state of Texas

