

INCLUDED

Hob Knob™
PN 38101



Quick Installation Guide

Always follow proper firearm safety practices and wear safety gear when servicing or handling any firearm. Texas Weapon Systems is not responsible for your mishandling or improper use of a firearm.

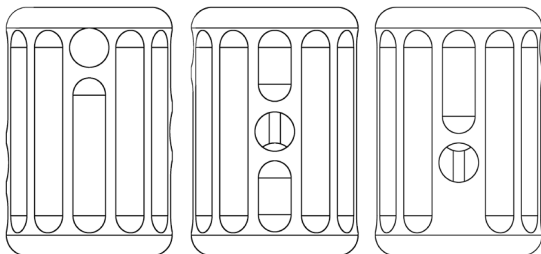
*** Assure the firearm is unloaded before servicing ***

- 1/8 hex key wrench
- ¼-20 x ¼ set screw
 - Qty: 1
- ¼-20 x 5/16 set screw
 - Qty: 2

INFO

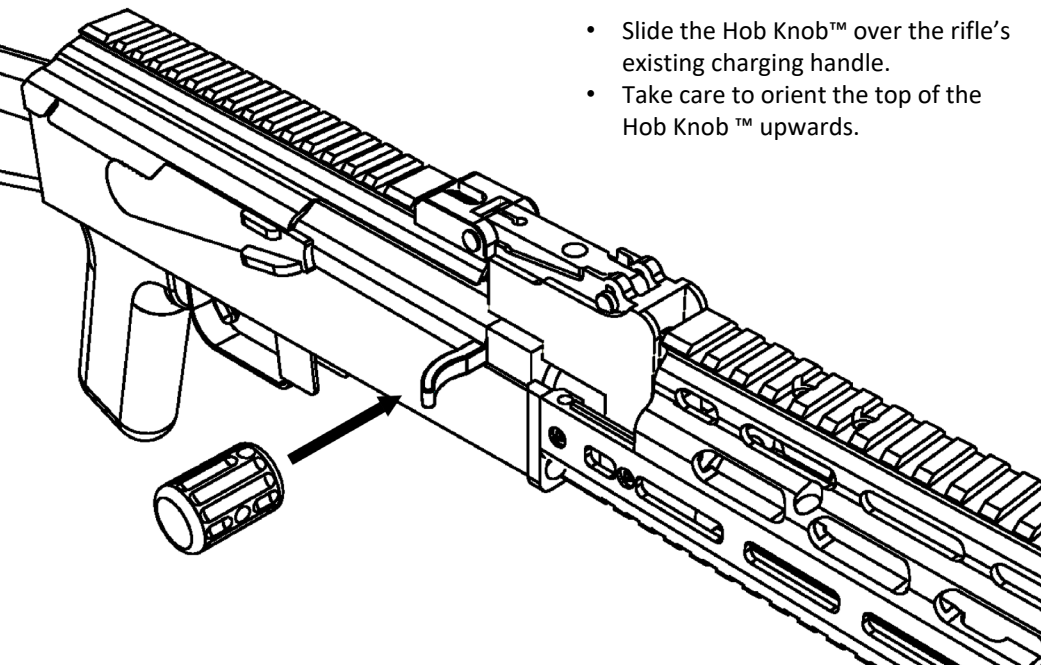
- Installation can be completed with the bolt carrier either in or out of the rifle. These instructions depict the bolt carrier installed in the rifle.

Top View Front View (Towards muzzle) Back View (Towards butt stock)

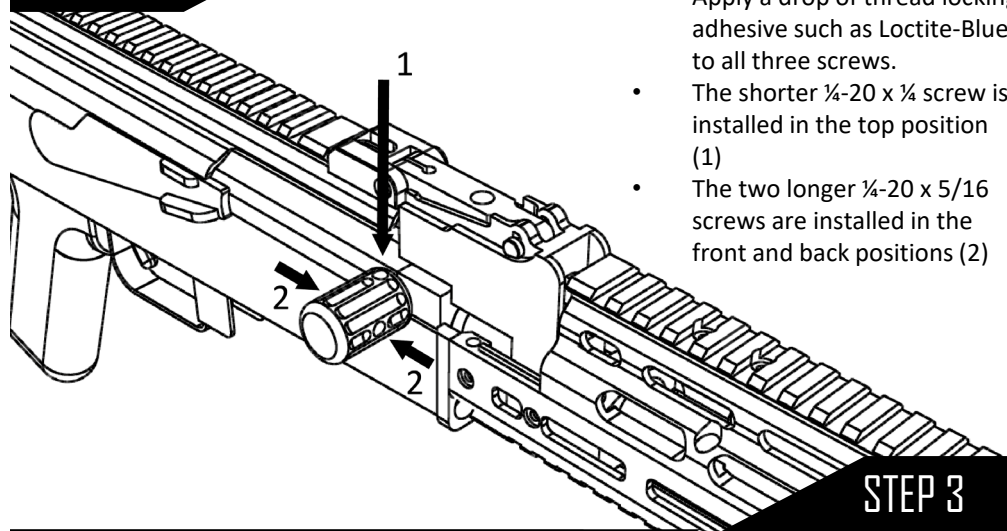


STEP 1

- Slide the Hob Knob™ over the rifle's existing charging handle.
- Take care to orient the top of the Hob Knob™ upwards.



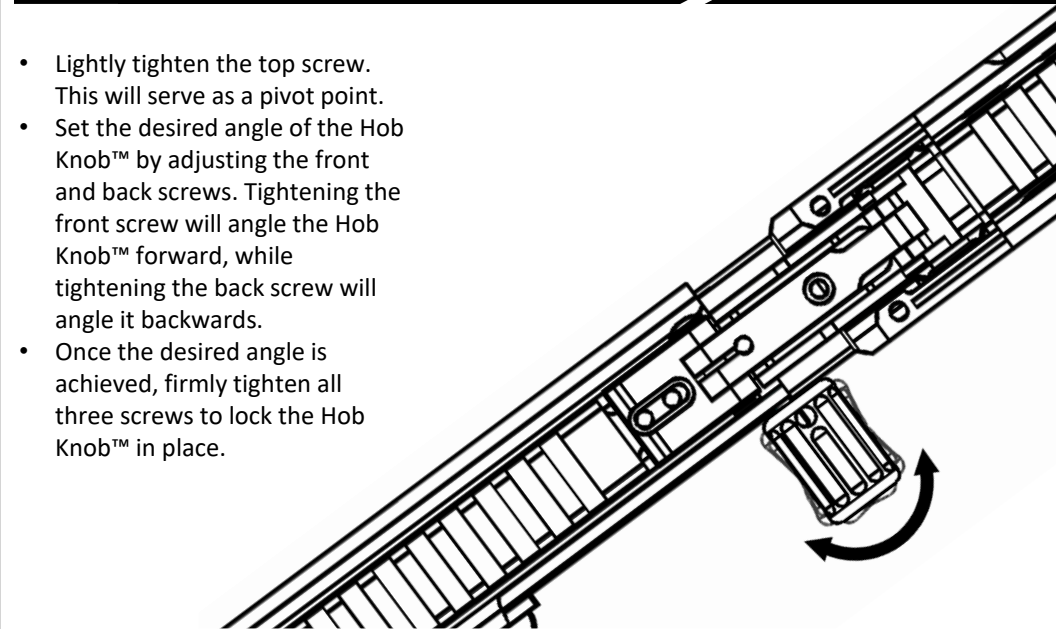
STEP 2



- Apply a drop of thread locking adhesive such as Loctite-Blue to all three screws.
- The shorter ¼-20 x ¼ screw is installed in the top position (1)
- The two longer ¼-20 x 5/16 screws are installed in the front and back positions (2)

STEP 3

- Lightly tighten the top screw. This will serve as a pivot point.
- Set the desired angle of the Hob Knob™ by adjusting the front and back screws. Tightening the front screw will angle the Hob Knob™ forward, while tightening the back screw will angle it backwards.
- Once the desired angle is achieved, firmly tighten all three screws to lock the Hob Knob™ in place.



INSTALLATION COMPLETE



Made with pride in the USA
Quality AK parts designed and manufactured in the great state of Texas

